

# Shijiazhuang ShiZun Pump Industry Sales Co., Ltd.

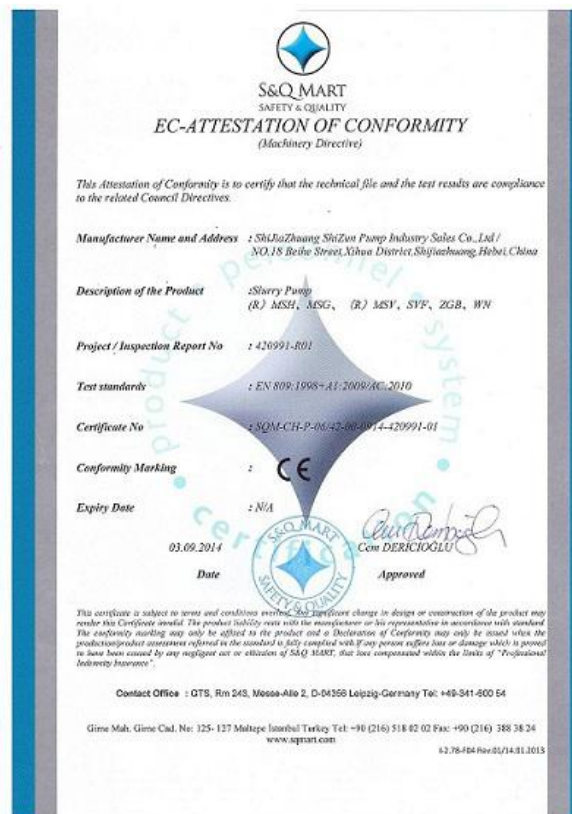
Add: No.18 Beihe Street Xinhua District, Shijiazhuang City Hebei, China

<http://www.slurrypump.biz> Mail: [fairy@slurrypump.biz](mailto:fairy@slurrypump.biz)

## About us:

The ShiZun Pump Industry focuses primarily on the production and supply of high quality slurry pumps and slurry pump parts. Our pumps are designed for the harshest abrasive and corrosive pumping environments. They can be made of high chrome, a wide of variety of elastomer or the latest in ceramic materials for longer service and higher efficiencies. Also they are parts interchangeable with one of the most recognized brands worldwide in the slurry pump business. That means a further reduction in customer costs due to consolidation of inventory and interchangeability with existing equipment. Not only does ShiZun offer competitive pricing and quick deliveries we pride ourselves in the level of service and technical support we offer to our clients. It's not just a matter of getting the best price and delivery but the best service as well.

## Certificates:



*We are your best source for*

*all slurry pump needs and solutions.*

*High efficiency, Energy saving long lifetime*

*easy to install, operate and maintain*

## WQ Submersible sewage pump



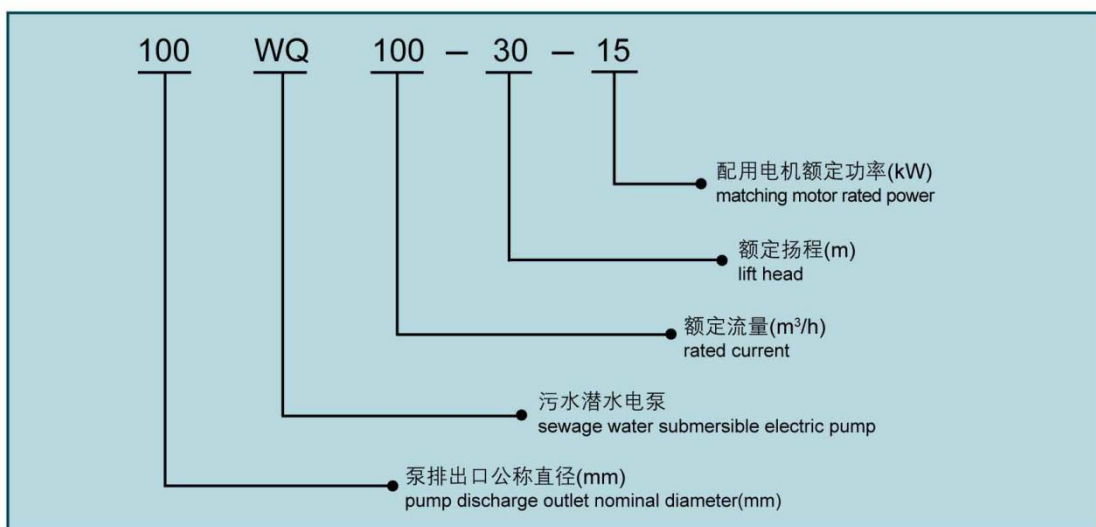
### Products application:

1. Discharge for serious polluted waste water from factory or commerce.
2. Draining system of city sewage water treatment.
3. Draining waste water station from community.
4. Water discharging station for civil air defence.
5. Waste water discharging for hospital, hotel.
6. Municipal project, construction worksite.
7. Matching facility for exploration, mine.
8. Countryside methane pit, farmland irrigation.
9. Water-supply set for running water plant. !

## Use conditions:

1. The medium temperature is not more than 60, weightiness is 1.0~1.3kg/dm<sup>3</sup> , PH value range is 5~9.
- 2 For the pump without inside self-flow, circulation cooling system, the motor out of liquid surface is not more than 1/2.
3. The pump must be normally used within the use range of the lift head to guarantee the motor not overload. If need to use at the full range lift head, should be mentioned on the booking order to let the producer to manufacture.
4. During operation, the motor current should not be more than rated current.

Type explanation:



## WQ pump construction:

WQ type no-clog sewage discharging submersible pump is composed of motor and pump separated by the oil chamber and mechanical sealing, it is a integrated mechanical and electrical product, the motor and pump have same shaft (rotor), the whole compact structure matching with several protection facilities. Multiple protection devices can be equipped to ensure the pump operation in safety and reliability. The functions of main parts are as follows:

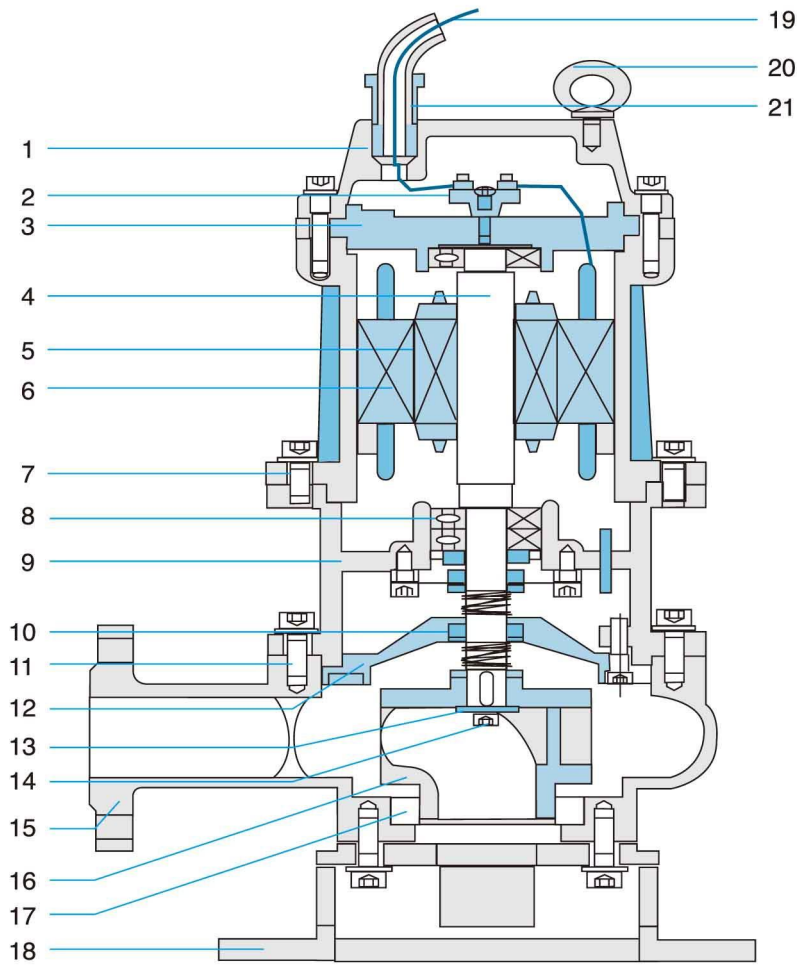
Signal line: the pump is matching with all-insurance controlling cabinet, performing all round protection including water leakage, lack phase, short circuit, over heat, and over load etc.

Motor stator: adopting B class or F class insulation.

Water leakage detector: this element mounting in the oil chamber can give signal and together with the controlling system to protect the pump when the mechanical sealing damaged and water coming into the oil chamber.

Impeller: the impeller has adopted the single-channel or double-channel structure, the big matter and fiber waste can pass through, thus reducing the trouble of clog and intertwist.

Vortex shell: matching with impeller, enabling the pump with high efficiency.



- |                             |                             |                       |                       |
|-----------------------------|-----------------------------|-----------------------|-----------------------|
| 1. 上盖                       | 2. 接线柱                      | 3. 上轴承座               | 4. 转子                 |
| 5. 转子铁芯                     | 6. 定子部件                     | 7. 螺栓                 | 8. 轴承                 |
| 9. 油室                       | 10. 机械密封                    | 11. 螺栓                | 12. 油室盖               |
| 13. 垫片                      | 14. 轴头锁紧螺母                  | 15. 涡壳                | 16. 叶轮                |
| 17. 骨架油封                    | 18. 进水节                     | 19. 电缆                | 20. 吊环螺钉              |
| 21. 电缆护套                    |                             |                       |                       |
| 1. upper cover              | 2. connecting plate         | 3. upper bearing base | 4. rotor shaft        |
| 5. rotor iron core          | 6. stator component         | 7. bolt               | 8. bearing            |
| 9. oil chamber              | 10. mechanical sealing      | 11. bolt              | 12. oil chamber cover |
| 13. mat piece               | 14. shaft end fastening nut | 15. vortex shell      | 16. impeller          |
| 17. framework oil sealing   | 18. water inlet joint       | 19. cable             | 20. sling screw       |
| 21. cable protection sleeve |                             |                       |                       |

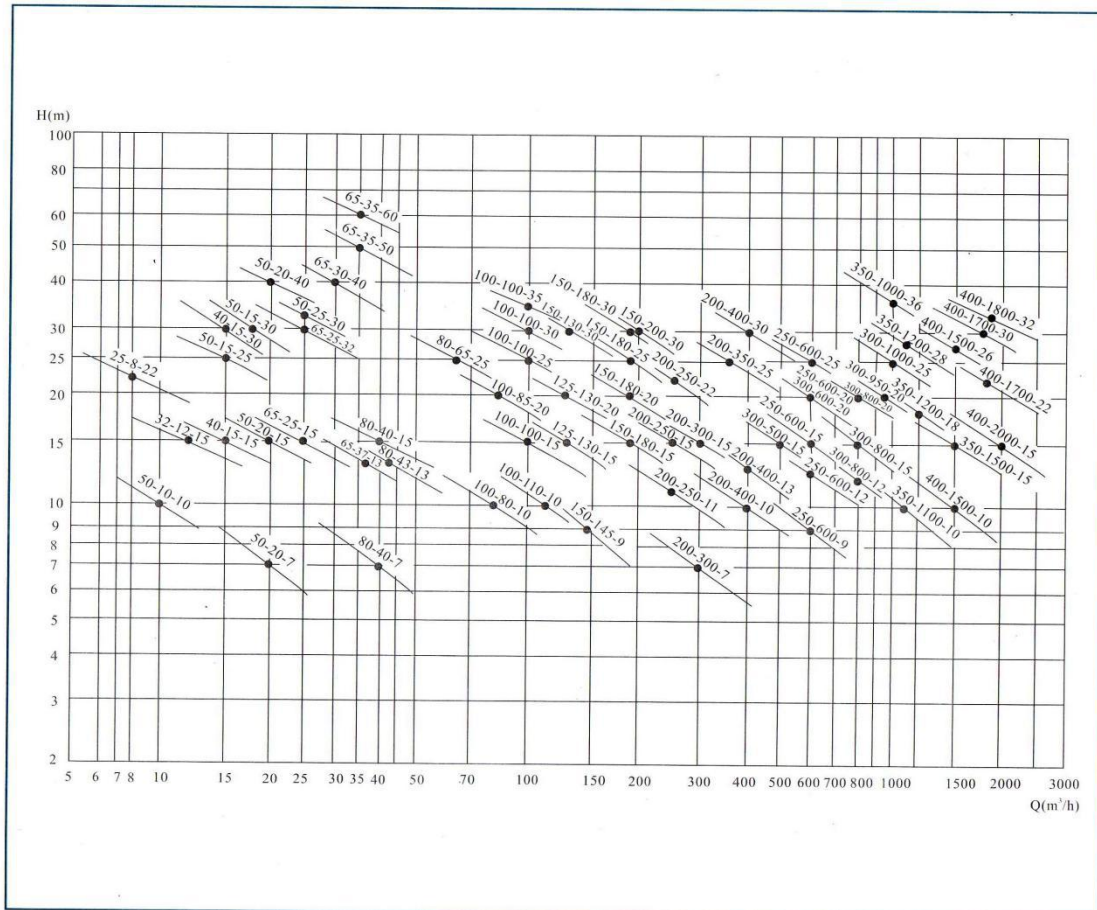
## WQ pump Selection Chart and performance

WQ Non-clog submersible sewage pump performance parameters table						
Model	Outlet Dia	Flow	Head of delivery	Power	Speed	Efficiency
	mm	m <sup>3</sup> /h	m	KW	r/min	%
25WQ8-22-1.1	25	8	22	1.1	2825	38.5
32WQ12-15-1.1	32	12	15	1.1	2825	40
40WQ15-15-1.5	40	15	15	1.5	2840	45.1
40WQ15-30-2.2	40	15	30	2.2	2840	48
50WQ20-7-0.75	50	20	7	0.75	1390	54
50WQ10-10-0.75	50	10	10	0.75	1390	56
50WQ20-15-1.5	50	20	15	1.5	2840	55
50WQ15-25-2.2	50	15	25	2.2	2840	56
50WQ18-30-3	50	18	30	3	2880	58
50WQ25-32-5.5	50	25	32	5.5	2900	53
50WQ20-40-7.5	50	20	40	7.5	2900	55
65WQ25-15-2.2	65	25	15	2.2	2840	52
65WQ37-13-3	65	37	13	3	2880	55
65WQ25-30-4	65	25	30	4	2890	58
65WQ30-40-7.5	65	30	40	7.5	2900	56
65WQ35-50-11	65	35	50	11	2930	60
65WQ35-60-15	65	35	60	15	2930	63
80WQ40-7-2.2	80	40	7	2.2	1420	52

80WQ43-13-3	80	43	13	3	2880	50
80WQ40-15-4	80	40	15	4	2890	57
80WQ65-25-7.5	80	65	25	7.5	2900	56
100WQ80-10-4	100	80	10	4	1440	62
100WQ110-10-5.5	100	110	10	5.5	1440	66
100WQ100-15-7.5	100	100	15	7.5	1440	67
100WQ85-20-7.5	100	85	20	7.5	1440	68
100WQ100-25-11	100	100	25	11	1460	65
100WQ100-30-15	100	100	30	15	1460	66
100WQ100-35-18.5	100	100	35	18.5	1470	65
125WQ130-15-11	125	130	15	11	1460	62
125WQ130-20-15	125	130	20	15	1460	63
150WQ145-9-7.5	150	145	9	7.5	1440	63
150WQ180-15-15	150	180	15	15	1460	65
150WQ180-20-18.5	150	180	20	18.5	1470	75
150WQ180-25-22	150	180	25	22	1470	76
150WQ130-30-22	150	130	30	22	1470	75
150WQ180-30-30	150	180	30	30	1470	73
150WQ200-30-37	150	200	30	37	1480	70
200WQ300-7-11	200	300	7	11	970	73
200WQ250-11-15	200	250	11	15	970	74
200WQ400-10-22	200	400	10	22	1470	76

200WQ400-13-30	200	400	13	30	1470	73
200WQ250-15-18.5	200	250	15	18.5	1470	72
200WQ300-15-22	200	300	15	22	1470	73
200WQ250-22-30	200	250	22	30	1470	71
200WQ350-25-37	200	350	25	37	1980	75
200WQ400-30-45	200	400	30	45	1480	70
250WQ600-9-30	250	600	9	30	980	74
250WQ600-12-37	250	600	12	37	1480	78
250WQ600-15-45	250	600	15	45	1480	75
250WQ600-20-55	250	600	20	55	1480	73
250WQ600-25-75	250	600	25	75	1480	73
250WQ800-12-45	250	800	12	45	980	76
300WQ500-15-45	300	500	15	45	980	70
300WQ800-15-55	300	800	15	55	980	73
300WQ600-20-55	300	600	20	55	980	75
300WQ800-20-75	300	800	20	75	980	78
300WQ950-20-90	300	950	20	90	980	80
300WQ1000-25-110	300	1000	25	110	980	82
350WQ1100-10-55	350	1100	10	55	980	84.5
350WQ1500-15-90	350	1500	15	90	980	82.5
350WQ1200-18-90	350	1200	18	90	980	83.1
350WQ1100-28-132	350	1100	28	132	740	83.2

350WQ1000-36-160	350	1000	36	160	740	78.5
350WQ1500-10-75	400	1500	10	75	980	82.1
400WQ2000-15-132	400	2000	15	132	740	85.5
400WQ1700-22-160	400	1700	22	160	740	82.1
400WQ1500-26-160	400	1500	26	160	740	83.5
400WQ1700-30-200	400	1700	30	200	740	83.5
400WQ1800-32-250	400	1800	32	250	740	82.1
QW500-2500-10-110	500	2500	10	110	740	82
QW500-2600-15-160	500	2600	15	160	740	83
QW500-2400-22-220	500	2400	22	220	740	84
QW500-2600-24-250	500	2600	24	250	740	82





## Outline and Installation Dimension

# QW、WQ

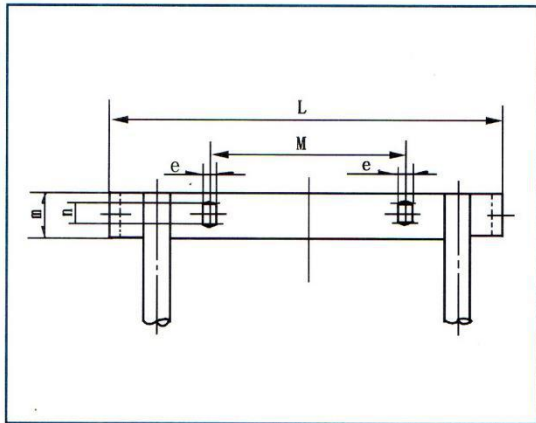
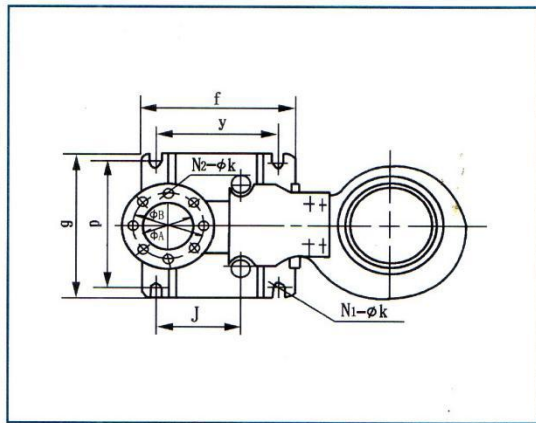
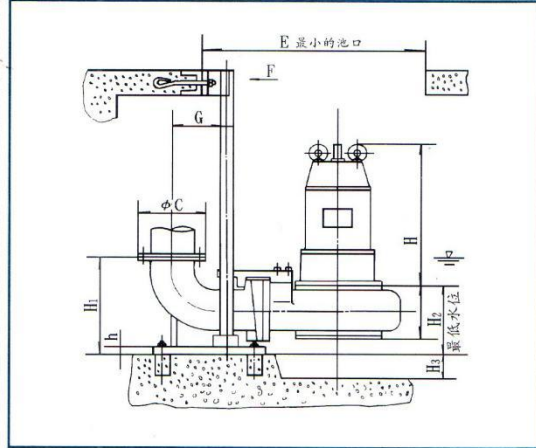
SUBMERSIBLE SEWAGE PUMP  
无堵塞潜水排污泵 >>>

### 安装尺寸表

序号	型号	φA	φB	φC	H	G	H <sub>1</sub>	H <sub>2</sub>	H <sub>3</sub>	h	N <sub>1</sub> -φK	g	p	f	y	N <sub>2</sub> -φd
1	25WQ8-22-1.1	120	25	90	550	150	250	300	100	16	4-φ16	260	230	310	215	4-φ14
2	32WQ12-15-1.1	120	32	90	550	150	250	300	100	16	4-φ16	260	230	310	215	4-φ14
3	40WQ15-15-1.5	100	40	130	600	70	270	360	100	16	4-φ16	260	230	310	215	4-φ14
4	40WQ15-30-2.2	100	40	130	600	70	270	360	100	16	4-φ16	260	230	310	215	4-φ14
5	50WQ20-7-0.75	110	50	140	550	70	270	350	100	16	4-φ16	260	230	310	215	4-φ14
6	50WQ10-10-0.75	110	50	140	550	70	270	350	100	16	4-φ16	260	230	310	215	4-φ14
7	50WQ20-15-1.5	110	50	140	600	70	270	380	100	16	4-φ16	260	230	310	215	4-φ14
8	50WQ15-25-2.2	110	50	140	600	70	270	400	100	16	4-φ16	260	230	310	215	4-φ14
9	50WQ18-30-3.0	110	50	140	630	70	270	450	100	16	4-φ16	260	230	310	215	4-φ14
10	50WQ25-32-5.5	110	50	140	730	70	270	450	100	16	4-φ16	260	230	310	215	4-φ14
11	50WQ20-40-7.5	110	50	140	730	70	270	450	100	16	4-φ16	260	230	310	215	4-φ14
12	65WQ25-15-2.2	130	65	160	610	100	315	400	150	20	4-φ18	275	250	300	225	4-φ14
13	65WQ37-13-3.0	130	65	160	630	100	315	420	150	20	4-φ18	275	250	300	225	4-φ14
14	65WQ25-30-4.0	130	65	160	680	100	315	500	150	20	4-φ18	275	250	300	225	4-φ14
15	65WQ30-40-7.5	130	65	160	730	100	315	600	150	20	4-φ18	275	250	300	225	4-φ14
16	65WQ35-50-11	130	65	160	920	100	315	800	150	20	4-φ18	275	250	300	225	4-φ14
17	65WQ35-60-15	130	65	160	920	100	315	800	150	20	4-φ18	275	250	300	225	4-φ14
18	80WQ40-7-2.2	150	80	190	650	100	360	440	150	25	4-φ18	290	260	330	260	4-φ18
19	80WQ43-13-3	150	80	190	700	100	360	480	150	25	4-φ18	290	260	330	260	4-φ18
20	80WQ40-15-4.0	150	80	190	740	100	360	480	150	25	4-φ18	290	260	330	260	4-φ18
21	80WQ65-25-7.5	150	80	190	800	100	360	550	150	25	4-φ18	290	260	330	260	4-φ18
22	100WQ80-10-4.0	170	100	210	770	150	410	550	200	25	4-φ20	340	305	400	310	4-φ18
23	100WQ110-10-5.5	170	100	210	800	150	410	560	200	25	4-φ20	340	305	400	310	4-φ18
24	100WQ100-15-7.5	170	100	210	800	150	410	560	200	25	4-φ20	340	305	400	310	4-φ18
25	100WQ85-20-7.5	170	100	210	800	150	410	560	200	25	4-φ20	340	305	400	310	4-φ18
26	100WQ100-25-11	170	100	210	900	150	410	600	200	25	4-φ20	340	305	400	310	4-φ18
27	100WQ100-30-15	170	100	210	950	150	410	630	200	25	4-φ20	340	305	400	310	4-φ18
28	100WQ100-35-18.5	170	100	210	1000	150	410	690	200	25	4-φ20	340	305	400	310	4-φ18
29	125WQ130-15-11	200	125	240	960	200	525	630	250	25	4-φ20	600	520	560	480	8-φ18
30	125WQ130-20-15	200	125	240	960	200	525	630	250	25	4-φ20	600	520	560	480	8-φ18
31	150WQ145-9-7.5	225	150	265	850	200	525	630	250	25	4-φ20	600	520	560	480	8-φ18
32	150WQ180-15-15	225	150	265	960	200	525	630	250	25	4-φ20	600	520	560	480	8-φ18
33	150WQ180-20-18.5	225	150	265	1020	200	525	630	250	25	4-φ20	600	520	560	480	8-φ18
34	150WQ180-25-22	225	150	265	1020	200	525	630	250	25	4-φ20	600	520	560	480	8-φ18
35	150WQ130-30-22	225	150	265	1180	200	525	630	250	25	4-φ20	600	520	560	480	8-φ18
36	150WQ180-30-30	240	150	280	1230	200	525	630	250	25	4-φ20	600	520	560	480	8-φ18
37	150WQ200-30-37	240	150	280	1300	200	525	630	250	25	4-φ20	600	520	560	480	8-φ18
38	150WQ160-45-37	240	150	280	1300	200	525	630	250	25	4-φ20	600	520	560	480	8-φ18
39	200WQ300-7-11	280	200	320	1180	240	590	450	250	30	4-φ24	510	460	520	400	8-φ18
40	200WQ250-11-15	280	200	320	1180	240	590	450	250	30	4-φ24	510	460	520	400	8-φ18

安装尺寸表

J	L	M	m	n	e	E×E
162	465	395	100	50	16	600×600
162	465	395	100	50	16	600×600
195	465	395	100	50	16	600×600
195	465	395	100	50	16	600×600
195	465	395	100	50	16	600×600
195	465	395	100	50	16	600×600
195	465	395	100	50	16	600×600
195	465	395	100	50	16	600×600
195	465	395	100	50	16	600×600
195	465	395	100	50	16	650×600
195	465	395	100	50	16	650×600
190	465	395	100	50	16	650×600
190	465	395	100	50	16	650×600
190	465	395	100	50	16	650×600
190	465	395	100	50	16	800×650
190	465	395	100	50	16	900×750
190	465	395	100	50	16	900×750
215	465	395	100	50	16	650×600
215	465	395	100	50	16	650×600
215	465	395	100	50	16	650×600
215	465	395	100	50	16	750×650
270	520	437	100	50	16	750×650
270	520	437	100	50	16	750×650
270	520	437	100	50	16	750×650
270	520	437	100	50	16	900×750
270	520	437	100	50	16	900×750
270	520	437	100	50	16	900×750
270	520	437	100	50	16	900×750
415	600	525	100	50	20	1000×750
415	600	525	100	50	20	1000×750
415	600	525	100	50	20	1000×750
415	600	525	100	50	20	1000×750
415	600	525	100	50	20	1000×750
415	600	525	100	50	20	1000×750
415	600	525	100	50	20	1000×800
415	600	525	100	50	20	1000×800
415	600	525	100	50	20	1000×800
405	600	525	100	50	20	1000×800
405	600	525	100	50	20	1000×800





SUBMERSIBLE SEWAGE PUMP  
无堵塞潜水排污泵 > > >

安装尺寸表

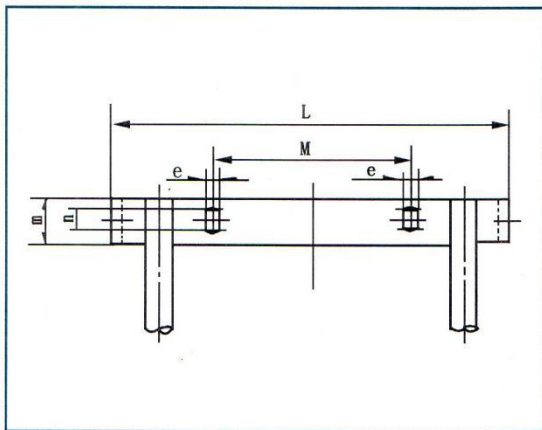
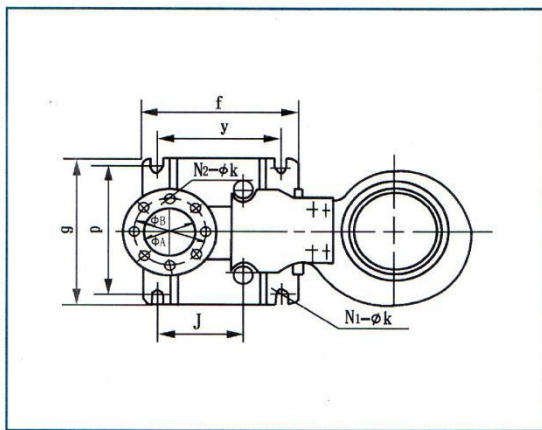
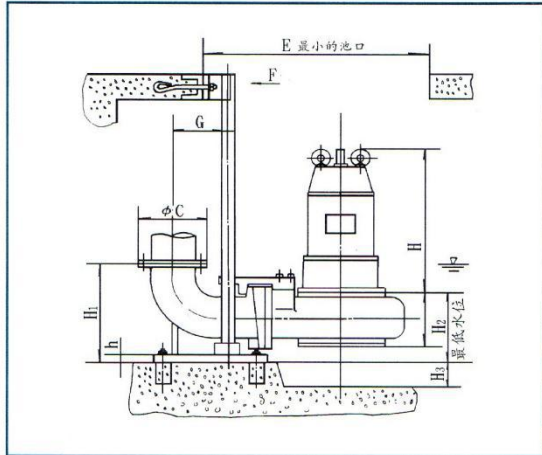
序号	型号	φA	φB	φC	H	G	H1	H2	H3	h	N1-φK	g	p	f	y	N2-φd
41	200WQ400-10-22	280	200	320	1230	240	590	480	250	30	4-φ24	510	460	520	400	8-φ18
42	200WQ400-13-30	280	200	320	1280	240	590	480	250	30	4-φ24	510	460	520	400	8-φ18
43	200WQ250-15-18.5	280	200	320	1230	240	590	480	250	30	4-φ24	510	460	520	400	8-φ18
44	200WQ300-15-22	280	200	320	1230	240	590	500	250	30	4-φ24	510	460	520	400	8-φ18
45	200WQ250-22-30	280	200	320	1280	240	590	500	250	30	4-φ24	510	460	520	400	8-φ18
46	200WQ350-25-37	280	200	320	1350	240	590	500	250	30	4-φ24	510	460	520	400	8-φ18
47	200WQ380-28-45	280	200	320	1380	240	590	500	250	30	4-φ24	510	460	520	400	8-φ18
48	200WQ400-30-55	280	200	320	1450	240	590	500	250	30	4-φ24	510	460	520	400	8-φ18
49	200WQ350-40-75	280	200	320	1480	240	590	500	250	30	4-φ24	510	460	520	400	8-φ18
50	250WQ600-9-30	350	250	390	1650	250	730	510	350	30	4-φ28	560	510	630	470	12-φ18
51	250WQ600-12-37	350	250	390	1650	250	730	510	350	30	4-φ28	560	510	630	470	12-φ18
52	250WQ600-15-45	350	250	390	1650	250	730	510	350	30	4-φ28	560	510	630	470	12-φ18
53	250WQ600-20-55	350	250	390	1690	250	730	510	350	30	4-φ28	560	510	630	470	12-φ18
54	250WQ600-25-75	350	250	390	1720	250	730	510	350	30	4-φ28	560	510	630	470	12-φ18
55	300WQ800-12-45	395	300	440	1850	370	770	540	400	45	4-φ40	880	780	900	770	12-φ23
56	300WQ500-15-45	395	300	440	1850	370	770	540	400	45	4-φ40	880	780	900	770	12-φ23
57	300WQ800-15-55	395	300	440	2090	370	770	540	400	45	4-φ40	880	780	900	770	12-φ23
58	300WQ600-20-55	395	300	440	1090	370	770	540	400	45	4-φ40	880	780	900	770	12-φ23
59	300WQ800-20-75	395	300	440	2100	370	770	540	400	45	4-φ40	880	780	900	770	12-φ23
60	300WQ950-20-90	395	300	440	2100	370	770	540	400	45	4-φ40	880	780	900	770	12-φ23
61	300WQ1000-25-110	395	300	440	2200	370	770	540	400	45	4-φ40	880	780	900	770	12-φ23
62	300WQ800-32-110	395	300	440	2200	370	770	540	400	45	4-φ40	880	780	900	770	12-φ23
63	350WQ1100-10-55	445	350	490	2100	400	770	650	450	45	4-φ40	880	780	900	770	12-φ23
64	350WQ1500-15-90	445	350	490	2160	400	770	650	450	45	4-φ40	880	780	900	770	12-φ23
65	350WQ1200-18-90	445	350	490	2160	400	770	650	450	45	4-φ40	880	780	900	770	12-φ23
66	350WQ1100-28-132	445	350	490	2500	400	770	650	450	45	4-φ40	880	780	900	770	12-φ23
67	350WQ1000-36-160	445	350	490	2600	400	770	650	450	45	4-φ40	880	780	900	770	12-φ23
68	400WQ1500-10-75	515	400	560	2200	400	900	800	500	45	6-φ40	950	850	980	880	16-φ26
69	400WQ2200-9-110	515	400	560	2580	400	900	800	500	45	6-φ40	950	850	980	880	16-φ26
70	400WQ2000-15-132	515	400	560	2560	400	900	800	500	45	6-φ40	950	850	980	880	16-φ26
71	400WQ1700-22-160	515	400	560	2650	400	900	800	500	45	6-φ40	950	850	980	880	16-φ26
72	400WQ1500-26-160	515	400	560	2650	400	900	800	500	45	6-φ40	950	850	980	880	16-φ26
73	400WQ1700-30-200	515	400	560	2650	400	900	800	500	45	6-φ40	950	850	980	880	16-φ26
74	400WQ1800-32-250	515	400	560	2690	400	900	800	500	45	6-φ40	950	850	980	880	16-φ26
75	400WQ1760-7.5-55	515	400	560	2560	400	900	800	500	45	6-φ40	950	850	980	880	16-φ26
76	500WQ2500-10-110	620	500	670	2750	400	1350	800	500	50	6-φ48	950	830	1260	1140	20-φ26
77	500WQ2600-15-160	620	500	670	2750	400	1350	800	500	50	6-φ48	950	830	1260	1140	20-φ26
78	500WQ3000-15-200	620	500	670	2860	400	1350	800	500	50	6-φ48	950	830	1260	1140	20-φ26
79	500WQ2400-22-220	620	500	670	2860	400	1350	800	500	50	6-φ48	950	830	1260	1140	20-φ26
80	500WQ4000-15-250	620	500	670	2860	400	1350	800	500	50	6-φ48	950	830	1260	1140	20-φ26
81	500WQ2600-24-250	620	500	670	2860	400	1350	800	500	50	6-φ48	950	830	1260	1140	20-φ26

SUBMERSIBLE SEWAGE PUMP  
 <<< 无堵塞潜水排污泵

**QW、WQ**

安装尺寸表

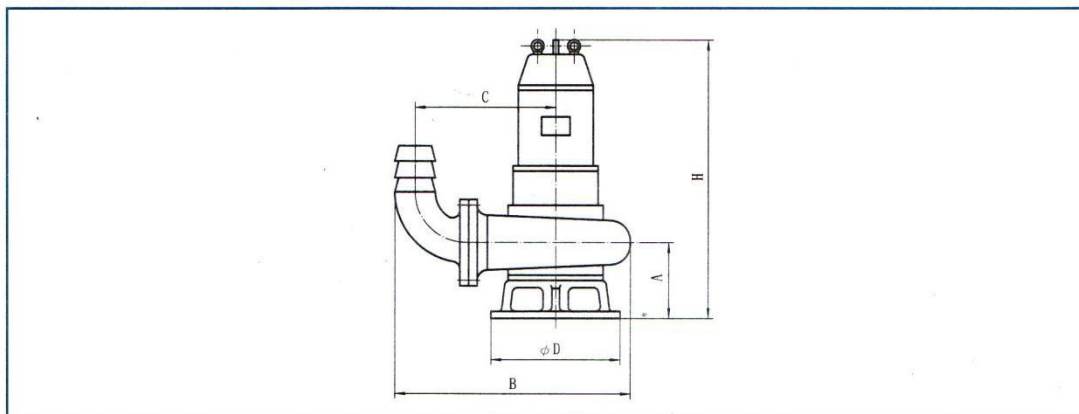
J	L	M	m	n	e	E×E
405	600	525	100	50	20	1000×800
405	600	525	100	50	20	1300×900
405	600	525	100	50	20	1300×900
405	600	525	100	50	20	1300×900
405	600	525	100	50	20	1400×1000
405	600	525	100	50	20	1400×1000
405	600	525	100	50	20	1400×1000
405	600	525	100	50	20	1400×1000
405	600	525	100	50	20	1400×1000
330	700	630	150	70	22	1400×1000
330	700	630	150	70	22	1400×1000
330	700	630	150	70	22	1400×1000
330	700	630	150	70	22	1400×1000
330	700	630	150	70	22	1400×1000
633	700	370	200	120	36	1800×1300
633	700	370	200	120	36	1800×1300
633	700	370	200	120	36	1800×1300
633	700	370	200	120	36	1800×1300
633	700	370	200	120	36	1800×1300
633	700	370	200	120	36	1800×1300
633	700	370	200	120	36	1800×1300
633	700	370	200	120	36	1800×1300
635	700	370	200	120	36	1800×1300
635	700	370	200	120	36	1800×1300
635	700	370	200	120	36	1800×1300
635	700	370	200	120	36	1800×1400
635	700	370	200	120	36	1800×1400
700	760	460	200	120	36	1800×1400
700	760	460	200	120	36	1900×1500
700	760	460	200	120	36	1800×1400
700	760	460	200	120	36	1900×1500
700	760	460	200	120	36	1900×1500
700	760	460	200	120	36	2000×1650
700	760	460	200	120	36	1900×1500
895	1000	830	200	120	36	2100×1600
895	1000	830	200	120	36	2300×2000
895	1000	830	200	120	36	2500×2000
895	1000	830	200	120	36	2500×2000
895	1000	830	200	120	36	2500×2000
895	1000	830	200	120	36	2500×2000



# QW、WQ

## SUBMERSIBLE SEWAGE PUMP 无堵塞潜水排污泵 > > >

### 移动式外形尺寸表



型 号	A	B	C	D	H	型 号	A	B	C	D	H
25QW8-22-1.1	110	305	195	190	410	150QW180-30-30	250	860	520	540	1230
32QW12-15-1.1	110	305	195	190	410	150QW200-30-37	250	860	520	540	1300
40QW15-15-1.5	120	340	215	240	600	200QW300-7-11	275	900	560	540	1130
40QW15-30-2.2	120	340	215	240	600	200QW250-11-15	275	900	560	540	1130
50QW20-7-0.75	125	370	225	240	550	200QW400-10-22	275	900	560	540	1200
50QW10-10-0.75	125	370	225	240	550	200QW400-13-30	275	900	560	540	1250
50QW20-15-1.5	120	345	215	240	600	200QW250-15-18.5	275	900	560	540	1200
50QW15-25-2.2	120	345	215	240	600	200QW300-15-22	275	900	560	540	1200
50QW18-30-3	125	370	225	240	630	250QW250-22-30	275	900	560	540	1250
50QW25-32-5.5	155	410	255	310	730	200QW350-25-37	275	900	560	540	1350
50QW20-40-7.5	155	410	255	240	730	200QW400-30-55	290	920	580	540	1400
65QW125-15-2.2	125	410	260	240	610	250QW600-9-30	320	1100	650	540	1650
65QW37-13-3	125	410	260	240	630	250QW600-12-37	320	1100	650	540	1650
65QW25-30-4	125	420	270	240	680	250QW600-15-45	320	1080	650	540	1650
65QW30-40-7.5	155	450	290	310	730	250QW600-20-55	320	1080	650	540	1690
65QW35-50-11	165	460	290	350	920	250QW600-25-75	320	1100	650	540	1690
65QW35-60-15	165	460	290	350	920	250QW800-12-45	320	1080	650	540	1650
80QW40-7-2.2	165	490	325	310	700	300QW500-15-45	400	1200	800	600	2040
80QW43-13-3	165	445	295	310	740	300QW800-15-55	400	1200	800	600	2040
80QW40-15-4	165	445	295	310	800	300QW600-20-55	400	1200	800	600	2050
80QW65-25-7.5	165	490	325	310	770	300QW800-20-75	400	1200	800	600	2100
100QW80-10-4	175	620	420	350	800	300QW950-20-90	400	1200	800	600	2200
100QW110-10-5.5	185	650	420	350	800	300QW1000-25-110	400	1200	800	600	2200
100QW100-15-7.5	185	650	420	350	800	350QW1100-10-55	450	1350	950	600	1950
100QW85-20-7.5	185	650	420	350	800	350QW1500-15-90	450	1350	950	600	2160
100QW100-25-11	210	710	450	420	960	350QW1200-18-90	450	1350	950	600	2160
100QW100-30-15	225	740	485	420	950	350QW1100-28-132	450	1350	950	600	2500
100QW100-35-18.5	225	740	485	470	1000	350QW1000-36-160	450	1350	950	600	2600
125QW130-15-11	225	740	470	420	960	400QW1500-10-75	510	1480	1100	700	2100
125QW130-20-15	225	740	470	420	960	400QW2000-15-132	510	1480	1100	700	2500
150QW145-9-7.5	225	770	480	420	850	400QW1700-22-160	510	1480	1100	700	2600
150QW180-15-15	225	780	480	470	960	400QW1500-26-160	510	1480	1100	700	2620
150QW180-20-18.5	225	780	480	470	1020	400QW1700-30-200	510	1480	1100	700	2550
150QW180-25-22	225	780	480	470	1020	400QW1800-32-250	510	1480	1100	700	2860
150QW130-30-22	250	860	520	470	1180						